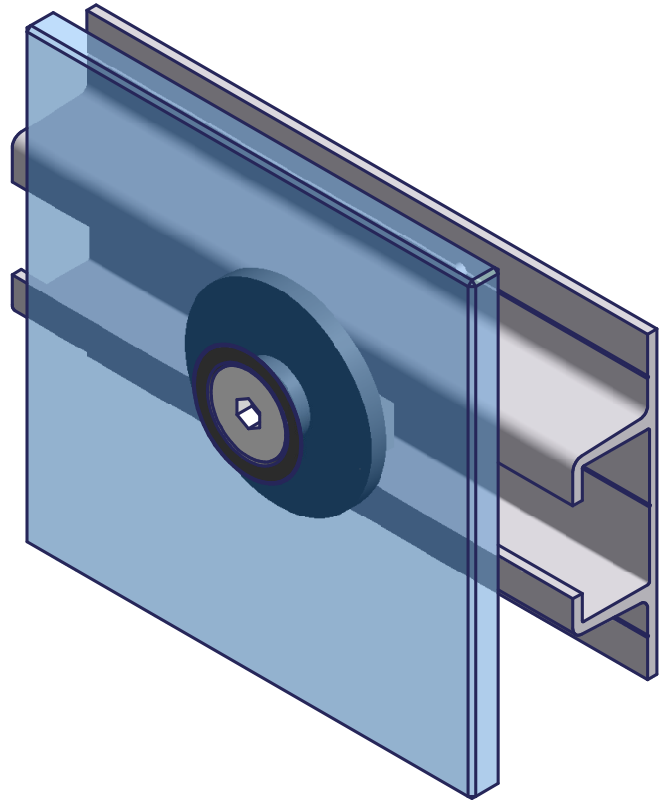
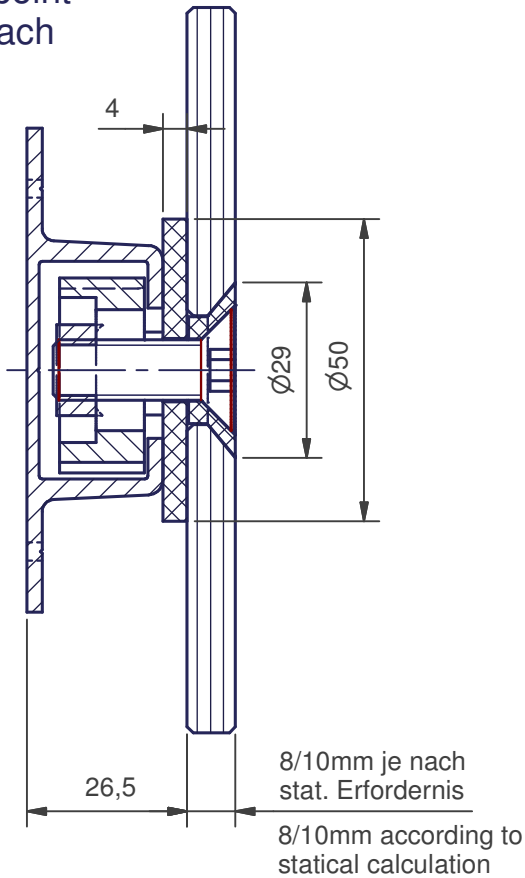
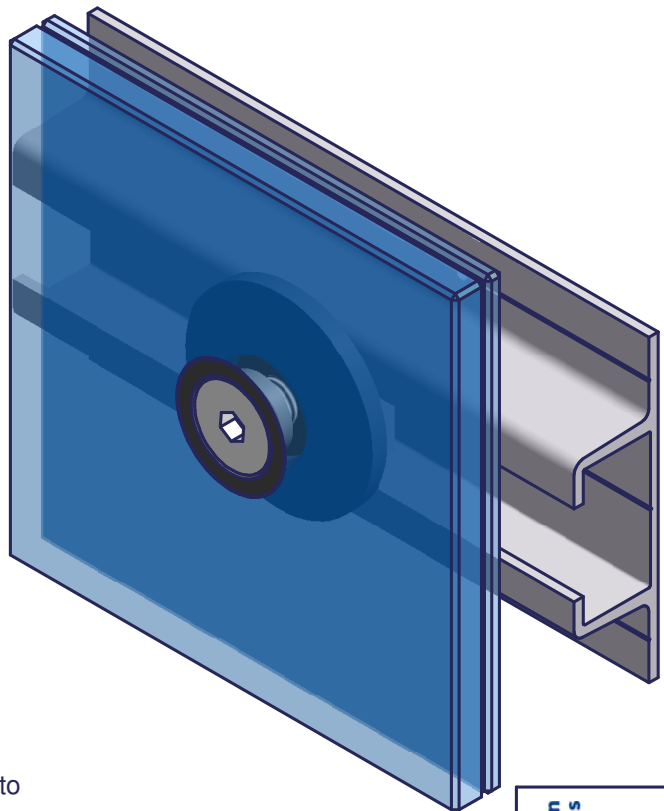
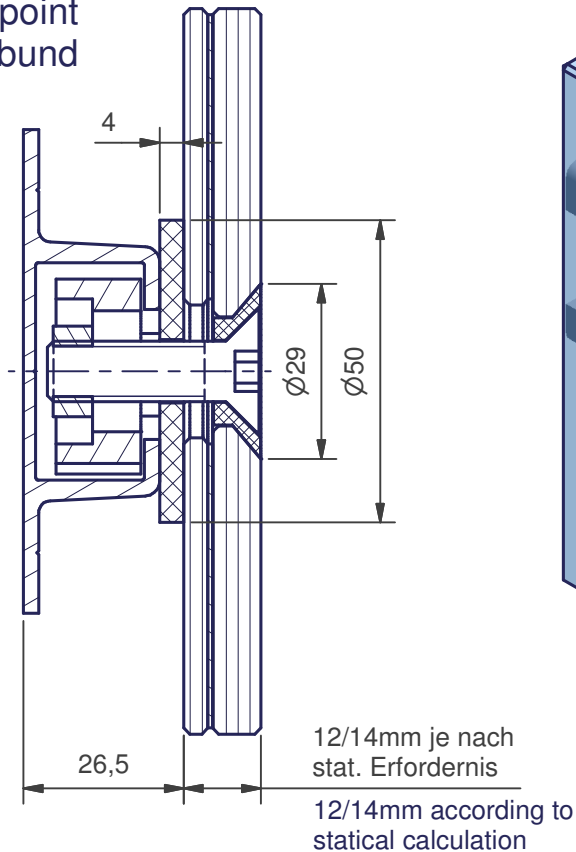


Litepoint Einfach



Litepoint Verbund



Technische Änderungen vorbehalten
technical modifications reserved

This drawing is a property and is left for use only for the period of contract. All claims resulting from the drawings belong to ECKELT. Without the approval of ECKELT, no drawings must be copied or passed to third.

Projekt / project

LITEPOINT

Benennung / title

horizontales Loslager
horizontal loose point

Zeichn. Nr. / drwg. no.

LP 8000/...

Index / rev.

00

Maßstab / scale

1:1

Zeichnungsstand / rev.date

28.02.11

Saint-Gobain
Glass Solutions



ECKELT GLAS GmbH.
Resthofstrasse 18, A-4400 Steyr, AUSTRIA
Tel: +43-7252-894-0, Fax: +43-7252-894-24
e-mail: vertrieb@eckelt.at oder export@eckelt.at